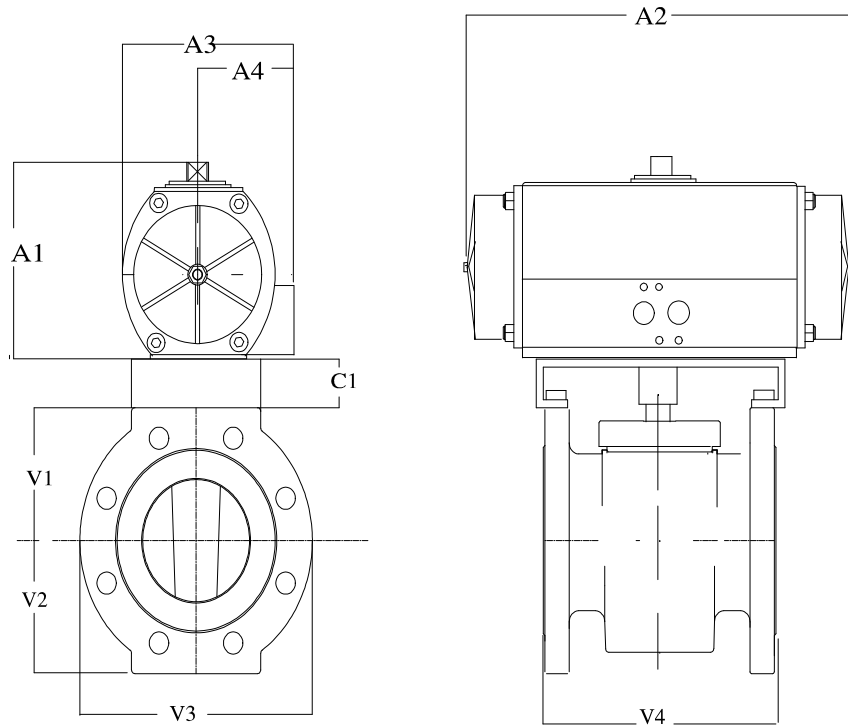


Customer

Project Name

Engineer



Product Code: 6R302/F/TSR250-WCB/316-P

Valve Type: 6 inch Fluoroseal Sleeved Plug Valve Ansi Class 300  
Body: Flanged  
Trims: 316  
Seat/Liner: Teflon

Working Pressure: 720 psi

Actuator Type: TSR 250 F16 0 7 Fail Close / Fail Open  
Actuator Mat.: Aluminium Hard Anodised

Manual Override: NOT REQUESTED

Air Supply: 60 psi

Solenoid Valve: NOT REQUESTED

Switch Box: NOT REQUESTED

Positioner: NOT REQUESTED

Acc Bracket: By Fluoroseal

Dim:	A1	A2	A3	A4	V1	V2	V3	V4	C1
Ins:	13.78	26.60	11.02	5.51	6.25	6.25	12.50	15.93	2.06

Overall Height to c/l of valve:- 22.09 ins

Num bolt holes :- 12 Bolt dia:- 0.87 Bolt circle dia:- 10.63