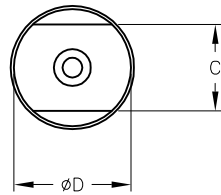
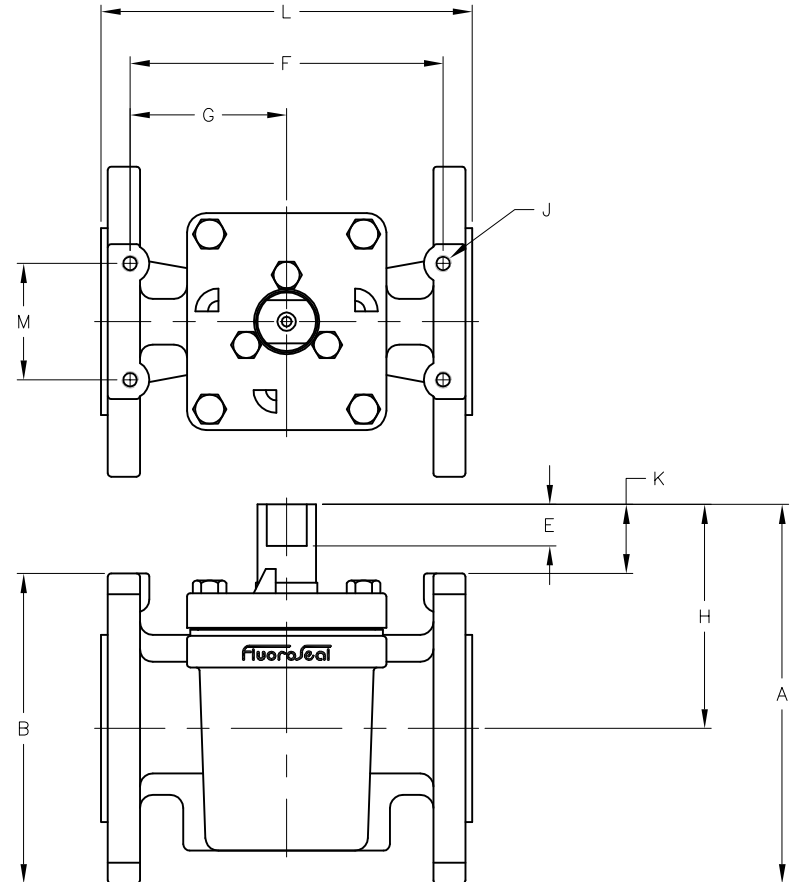


This drawing and the information herein contained is the property of FluoroSeal Specialty Valves and/or its subsidiaries and is supplied upon the express conditions that the same be returned to FluoroSeal Specialty Valves upon request; all information herein contained is to be treated as secret and confidential; no reproduction of this drawing or any part thereof shall be made without the written permission of FluoroSeal Specialty Valves; acceptance of this drawing shall be deemed acceptance of the foregoing conditions.



PLUG STEM DETAIL
SCALE NONE

SIZE	CLASS	L	H	A	B	C	ØD	E	F	G	J (H)	K	M
1/2"	150	4.25	2.41	4.16	3.50	.321/.316	.49	.58	3.75	1.88	.250-20 UNC ∇ .38	.66	1.38
	300	5.50	2.41	4.29	3.75	.321/.316	.49	.58	4.88	2.44	.250-20 UNC ∇ .38	.54	1.63
	600	6.50	2.41	4.29	3.75	.321/.316	.49	.58	5.44	2.72	.250-20 UNC ∇ .38	.54	1.63
3/4"	150	4.63	2.41	4.35	3.88	.321/.316	.49	.58	4.13	2.06	.250-20 UNC ∇ .38	.47	1.50
	300	6.00	2.41	4.72	4.62	.321/.316	.49	.58	5.32	2.66	.250-20 UNC ∇ .38	.10	1.75
	600	7.54	2.41	4.72	4.62	.321/.316	.49	.58	6.38	3.19	.250-20 UNC ∇ .38	.10	1.75
1"	150	5.00	3.00	5.30	4.59	.438/.433	.61	.50	4.19	2.09	.3125-18 UNC ∇ .50	.71	1.75
	300	6.50	3.00	5.44	4.88	.438/.433	.61	.50	5.69	2.84	.3125-18 UNC ∇ .50	.56	1.75
	600	8.54	3.00	5.44	4.88	.338/.333	.61	.50	7.25	3.63	.3125-18 UNC ∇ .50	.56	1.75
1 1/2"	150	6.50	3.67	6.17	5.00	.623/.618	.86	.63	5.63	2.81	.3125-18 UNC ∇ .50	1.20	1.75
	300	7.50	3.67	6.73	6.12	.623/.618	.86	.63	6.56	3.28	.3125-18 UNC ∇ .50	.61	1.75
	600	9.54	3.67	6.73	6.12	.623/.618	.86	.63	8.13	4.06	.3125-18 UNC ∇ .50	.61	1.75
2"	150	7.00	4.24	7.24	6.00	.761/.756	1.11	.79	6.19	3.09	.3125-18 UNC ∇ .50	1.24	2.25
	300	8.50	4.24	7.49	6.50	.761/.756	1.11	.79	7.50	3.75	.3125-18 UNC ∇ .50	1.00	2.25
	600	11.55	4.24	7.49	6.50	.761/.756	1.11	.79	10.00	5.00	.3125-18 UNC ∇ .50	1.00	2.25
2 1/2"	150	8.00	4.77	8.52	7.50	.761/.756	1.12	.75	7.13	3.56	.375-16 UNC ∇ .56	1.02	3.50
	300	11.13	4.77	8.90	8.25	.761/.756	1.12	.75	9.88	4.94	.375-16 UNC ∇ .75	.65	3.50
	600	15.00	4.77	8.90	8.25	.761/.756	1.12	.75	12.25	6.13	.375-16 UNC ∇ .56	.65	3.50
3"	150	9.00	5.65	10.15	9.00	.899/.894	1.21	.99	8.00	4.00	.4375-14 UNC ∇ .75	1.15	4.00
	300	12.00	5.65	10.65	10.00	.899/.894	1.21	.99	10.69	5.34	.4375-14 UNC ∇ .75	.65	4.00
	600	17.00	5.65	11.03	10.75	.899/.894	1.21	.99	15.00	7.50	.4375-14 UNC ∇ .75	.28	4.00
NEW 6"	150	10.50	6.95	12.45	11.00	.860/.855	1.70	.91	9.44	4.72	.4375-14 UNC ∇ 1.00	1.45	4.00
	300	15.88	6.95	13.20	12.50	.860/.855	1.70	.91	14.38	7.19	.4375-14 UNC ∇ 1.00	.70	4.00
	600	22.04	6.95	13.95	14.00	.860/.855	1.70	.91	19.63	9.81	.4375-14 UNC ∇ 1.00	-.05	4.00
OLD 6"	150	10.50	6.25	11.75	11.00	.860/.855	1.70	.91	9.44	4.72	.4375-14 UNC ∇ 1.00	.75	4.00
	300	15.88	6.25	12.50	12.50	.860/.855	1.70	.91	14.38	7.19	.4375-14 UNC ∇ 1.00	.00	4.00
	600	22.04	6.25	13.25	14.00	.860/.855	1.70	.91	19.63	9.81	.4375-14 UNC ∇ 1.00	-.75	4.00
8"	150	11.50	8.85	15.60	13.50	.986/.981	2.13	1.18	10.25	5.13	.500-13 UNC ∇ 1.00	2.10	6.00
	300	16.50	8.85	16.35	15.00	.986/.981	2.13	1.18	14.67	7.33	.500-13 UNC ∇ 1.00	1.35	6.00
	600	26.00	8.85	17.10	16.50	.986/.981	2.13	1.18	23.25	11.63	.500-13 UNC ∇ 1.00	.60	6.00
10"	150	29.04	8.85	18.10	18.50	.986/.981	2.13	1.18	26.63	13.31	.500-13 UNC ∇ 1.00	-.40	6.00
	300	13.00	10.79	18.80	16.00	1.196/1.191	2.36	1.07	11.63	5.81	.500-13 UNC ∇ 1.00	2.80	6.00
	600	18.00	10.79	19.54	17.50	1.196/1.191	2.36	1.07	15.91	7.96	.500-13 UNC ∇ .75	2.04	6.00
12"	150	14.00	10.06	19.56	19.00	1.213/1.208	2.89	.86	12.52	6.26	.500-13 UNC ∇ 1.00	.56	6.00
	300	19.75	10.06	20.31	20.50	1.213/1.208	2.89	.86	17.57	8.79	.500-13 UNC ∇ .75	-.19	6.00
	600	33.00	10.06	21.06	22.00	1.213/1.208	2.89	.86	30.00	15.00	.500-13 UNC ∇ 1.00	-.94	6.00
14"	150	15.00	10.06	20.56	21.00	1.213/1.208	2.89	.86	12.52	6.26	.500-13 UNC ∇ 1.00	-.44	6.00
	300	30.00	10.06	21.56	23.00	1.213/1.208	2.89	.86	27.81	13.90	.500-13 UNC ∇ 1.00	-1.44	6.00
	600	30.00	15.64	27.39	23.50	2.377/2.372	3.75	1.00	28.50	14.25	.625-11 UNC ∇ 1.00	3.89	8.00
16"	150	30.00	15.64	28.39	25.00	2.377/2.372	3.75	1.00	38.68	15.34	.625-11 UNC ∇ 1.00	2.89	8.00
	300	39.00	15.64	29.14	27.00	2.377/2.372	3.75	1.00	35.50	17.75	.625-11 UNC ∇ 1.00	2.14	8.00
	600	34.00	15.64	28.14	25.00	2.377/2.372	3.75	1.00	32.50	16.25	.625-11 UNC ∇ 1.00	3.14	8.00
18"	150	36.00	15.64	29.64	28.00	2.377/2.372	3.75	1.00	33.34	16.67	.625-11 UNC ∇ 1.00	1.64	8.00
	300	36.00	22.53	36.28	27.50	3.877/3.872	6.00	2.00	34.38	17.19	1.00-8 UNC ∇ 1.50	8.78	12.00
	600	39.00	22.53	37.78	30.50	3.877/3.872	6.00	2.00	36.38	18.19	1.00-8 UNC ∇ 1.50	7.28	12.00
20"	150	42.00	22.53	38.53	32.00	3.877/3.872	6.00	2.00	40.00	20.00	1.00-8 UNC ∇ 1.50	6.53	12.00
	300	45.00	22.53	40.53	36.00	3.877/3.872	6.00	2.00	42.03	21.02	1.00-8 UNC ∇ 1.50	4.53	12.00



REV	DESCRIPTION	DATE	DFTR	APVD
D	SEE #ECN-0683	09/01/21	S.E.	S.E.
C	SEE #ECN-0500	07/11/12	K.D.	S.E.
B	SEE #ECN-0356	05/11/21	A.R.	M.B.S.
A	SEE D.C.N. # DCN-0044	02/04/02	C.F.	N.P.
O	INITIAL RELEASE	00/11/16	C.F.	N.P.

INVESTMENT CASTING TOLERANCES UNLESS OTHERWISE NOTED
 DIMENSION 0-1" \pm .010
 DIMENSION OVER 1" - TOLERANCE FROM THE FIRST INCH PLUS A \pm 0.005 FOR EACH INCH OVER 1"
 ALL CORNER RADIUS TO BE 1/16 MINIMUM
 SURFACE FINISH TO BE 125 OR BETTER
 ANGLE 45°

UNLESS OTHERWISE SPECIFIED DIMENSIONS ARE IN INCHES
 ALL BURR AND SHARP EDGES ARE TO BE REMOVED

TOLERANCES:
 ANGLES: \pm 3°
 FINISH: 125 ✓

DECIMALS:
 .X \pm .020
 .XX \pm .010
 .XXX \pm .005

TITLE: FLUROSEAL PLUG VALVE ACTUATOR MOUNTING DIMENSIONS, FLANGED END VALVE

SIZE A DWG NO. AMD-01 REV D

DRAWN BY: K.DEBCHI DATE: 2009/01/21 SCALE: N.T.S.
 CHECKED BY: S.ELFASHNY DATE: 2009/01/21 SHEET: 1/1

THIRD ANGLE PROJECTION DO NOT SCALE DRAWING

6418 Transcanadian Highway W., Montreal QC, H4T 1X4 TEL: (514)739-0220 FAX: (514)739-5452

SIZE	CLASS	L	H	A	B	C	ØD	E	F	G	J (H)	K	M
1/2"	150	4.25	2.41	4.16	3.50	.321/.316	.49	.58	3.75	1.88	.250-20 UNC ∇ .38	.66	1.38
	300	5.50	2.41	4.29	3.75	.321/.316	.49	.58	4.88	2.44	.250-20 UNC ∇ .38	.54	1.63
	600	6.50	2.41	4.29	3.75	.321/.316	.49	.58	5.44	2.72	.250-20 UNC ∇ .38	.54	1.63
3/4"	150	4.63	2.41	4.35	3.88	.321/.316	.49	.58	4.13	2.06	.250-20 UNC ∇ .38	.47	1.50
	300	6.00	2.41	4.72	4.62	.321/.316	.49	.58	5.32	2.66	.250-20 UNC ∇ .38	.10	1.75
	600	7.54	2.41	4.72	4.62	.321/.316	.49	.58	6.38	3.19	.250-20 UNC ∇ .38	.10	1.75
1"	150	5.00	3.00	5.30	4.59	.438/.433	.61	.50	4.19	2.09	.3125-18 UNC ∇ .50	.71	1.75
	300	6.50	3.00	5.44	4.88	.438/.433	.61	.50	5.69	2.84	.3125-18 UNC ∇ .50	.56	1.75
	600	8.54	3.00	5.44	4.88	.338/.333	.61	.50	7.25	3.63	.3125-18 UNC ∇ .50	.56	1.75
1 1/2"	150	6.50	3.67	6.17	5.00	.623/.618	.86	.63	5.63	2.81	.3125-18 UNC ∇ .50	1.20	1.75
	300	7.50	3.67	6.73	6.12	.623/.618	.86	.63	6.56	3.28	.3125-18 UNC ∇ .50	.61	1.75
	600	9.54	3.67	6.73	6.12	.623/.618	.86	.63	8.13	4.06	.3125-18 UNC ∇ .50	.61	1.75
2"	150	7.00	4.24	7.24	6.00	.761/.756	1.11	.79	6.19	3.09	.3125-18 UNC ∇ .50	1.24	2.25
	300	8.50	4.24	7.49	6.50	.761/.756	1.11	.79	7.50	3.75	.3125-18 UNC ∇ .50	1.00	2.25
	600	11.55	4.24	7.49	6.50	.761/.756	1.11	.79	10.00	5.00	.3125-18 UNC ∇ .50	1.00	2.25
2 1/2"	150	8.00	4.77	8.52	7.50	.761/.756	1.12	.75	7.13	3.56	.375-16 UNC ∇ .56	1.02	3.50
	300	11.13	4.77	8.90	8.25	.761/.756	1.12	.75	9.88	4.94	.375-16 UNC ∇ .75	.65	3.50
3"	150	8.00	4.77	8.52	7.50	.761/.756	1.12	.75	7.13	3.56	.375-16 UNC ∇ .56	1.02	3.50
	300	11.13	4.77	8.90	8.25	.761/.756	1.12	.75	9.88	4.94	.375-16 UNC ∇ .56	.65	3.50
	600	14.04	4.77	8.90	8.25	.761/.756	1.12	.75	12.25	6.13	.375-16 UNC ∇ .56	.65	3.50
4"	150	9.00	5.65	10.15	9.00	.899/.894	1.21	.99	8.00	4.00	.4375-14 UNC ∇ .75	1.15	4.00
	300	12.00	5.65	10.65	10.00	.899/.894	1.21	.99	10.69	5.34	.4375-14 UNC ∇ .75	.65	4.00
	600	17.00	5.65	11.03	10.75	.899/.894	1.21	.99	15.00	7.50	.4375-14 UNC ∇ .75	.28	4.00
NEW 6"	150	10.50	6.95	12.45	11.00	.860/.855	1.70	.91	9.44	4.72	.4375-14 UNC ∇ 1.00	1.45	4.00
	300	15.88	6.95	13.20	12.50	.860/.855	1.70	.91	14.38	7.19	.4375-14 UNC ∇ 1.00	.70	4.00
	600	22.04	6.95	13.95	14.00	.860/.855	1.70	.91	19.63	9.81	.4375-14 UNC ∇ 1.00	-.05	4.00
OLD 6"	150	10.50	6.25	11.75	11.00	.860/.855	1.70	.91	9.44	4.72	.4375-14 UNC ∇ 1.00	.75	4.00
	300	15.88	6.25	12.50	12.50	.860/.855	1.70	.91	14.38	7.19	.4375-14 UNC ∇ 1.00	.00	4.00
	600	22.04	6.25	13.25	14.00	.860/.855	1.70	.91	19.63	9.81	.4375-14 UNC ∇ 1.00	-.75	4.00
8"	150	11.50	8.85	15.60	13.50	.986/.981	2.13	1.18	10.25	5.13	.500-13 UNC ∇ 1.00	2.10	6.00
	300	16.50	8.85	16.35	15.00	.986/.981	2.13	1.18	14.67	7.33	.500-13 UNC ∇ 1.00	1.35	6.00
	600	26.00	8.85	17.10	16.50	.986/.981	2.13	1.18	23.25	11.63	.500-13 UNC ∇ 1.00	.60	6.00
	900	29.04	8.85	18.10	18.50	.986/.981	2.13	1.18	26.63	13.31	.500-13 UNC ∇ 1.00	-.40	6.00
10"	150	13.00	10.79	18.80	16.00	1.196/1.191	2.36	1.07	11.63	5.81	.500-13 UNC ∇ 1.00	2.80	6.00
	300	18.00	10.79	19.54	17.50	1.196/1.191	2.36	1.07	15.91	7.96	.500-13 UNC ∇ .75	2.04	6.00
12"	150	14.00	10.06	19.56	19.00	1.213/1.208	2.89	.86	12.52	6.26	.500-13 UNC ∇ 1.00	.56	6.00
	300	19.75	10.06	20.31	20.50	1.213/1.208	2.89	.86	17.57	8.79	.500-13 UNC ∇ .75	-.19	6.00
	600	33.00	10.06	21.06	22.00	1.213/1.208	2.89	.86	30.00	15.00	.500-13 UNC ∇ 1.00	-.94	6.00
14"	150	15.00	10.06	20.56	21.00	1.213/1.208	2.89	.86	12.52	6.26	.500-13 UNC ∇ 1.00	-.44	6.00
	300	30.00	10.06	21.56	23.00	1.213/1.208	2.89	.86	27.81	13.90	.500-13 UNC ∇ 1.00	-1.44	6.00
16"	150	30.00	15.64	27.39	23.50	2.377/2.372	3.75	1.00	28.50	14.25	.625-11 UNC ∇ 1.00	3.89	8.00
	300	33.00	15.64	28.39	25.50	2.377/2.372	3.75	1.00	38.68	15.34	.625-11 UNC ∇ 1.00	2.89	8.00
	600	39.00	15.64	29.14	27.00	2.377/2.372	3.75	1.00	35.50	17.75	.625-11 UNC ∇ 1.00	2.14	8.00
18"	150	34.00	15.64	28.14	25.00	2.377/2.372	3.75	1.00	32.50	16.25	.625-11 UNC ∇ 1.00	3.14	8.00
	300	36.00	15.64	29.64	28.00	2.377/2.372	3.75	1.00	33.34	16.67	.625-11 UNC ∇ 1.00	1.64	8.00
20"	150	36.00	22.53	36.28	27.50	3.877/3.872	6.00	2.00	34.38	17.19	1.00-8 UNC ∇ 1.50	8.78	12.00
	300	39.00	22.53	37.78	30.50	3.877/3.872	6.00	2.00	36.38	18.19	1.00-8 UNC ∇ 1.50	7.28	12.00
24"	150	42.00	22.53	38.53	32.00	3.877/3.872	6.00	2.00	40.00	20.00	1.00-8 UNC ∇ 1.50	6.53	12.00
	300	45.00	22.53	40.53	36.00	3.877/3.872	6.00	2.00	42.03	21.02	1.00-8 UNC ∇ 1.50	4.53	12.00